

**INSTRUCTIONS FOR INSTALLING A SECURITY LOCK KIT ON A NATIONAL VENDORS[®],
CROWN LINE[®], SERIES, CABARET, GOLDEN CABARET OR CROWN ELITE 222, OR SERIES, CABARET,
GOLDEN CABARET OR CROWN ELITE 800 MANUAL CIGARETTE MERCHANDISER**

These instructions cover the procedure for installing a Security Lock Kit on a Series, Cabaret, Golden Cabaret or Crown Elite 222 or Series, Cabaret, Golden Cabaret or Crown Elite 800 Manual Cigarette Merchandiser.

Before proceeding with the installation of the parts of a Kit, read the entire instruction carefully and thoroughly. The reading of the instructions before doing the work, can save time and prevent the doing of unnecessary work, especially if the steps which do not pertain to the Merchandiser being worked on are marked out prior to starting the required work.

Because of the differences in the various Merchandisers covered, when the instructions specify the removal of a part, carefully remove and separately store the various attaching parts. These parts will be needed when the replacement parts or the same parts are reassembled on to the Merchandiser. Small coin-envelopes make excellent storage containers for the attaching parts. These envelopes can be labeled and will make proper attaching part reuse easier.

We also suggest that as each step of the work is completed, the corresponding step as given in these instructions be marked with a check to indicate step completion. The directions right or left are the servicemans as he looks into the front of the Merchandiser.

Procedure I covers the installation of the parts of a Security Lock Kit in a Series, Golden Cabaret or Crown Elite 222 or a Series, Golden Cabaret or Crown Elite 800 Merchandiser.

Procedure II contains the equivalent information for a Cabaret 222 or a Cabaret 800 Merchandiser.

1. Security Lock Kit, part number 222-0516, is for use on Series 222 or Series 800 Merchandisers equipped with ACMR Coin Mechanism.
2. Security Lock Kit, part number 222-0517, is for use on Series 222 or Series 800 Merchandisers equipped with a Series 550 or Series 555 Changer.

3. Security Lock Kit, part number 222-0525, is for use on the Golden Cabaret 222 or Golden Cabaret 800 Merchandiser.

4. Security Lock Kit, part number 222-0527, is for use on the Crown Elite 222 or Crown Elite 800 Merchandiser.

5. Security Lock Kit, part number 222-0518, is for use on a Cabaret 222 or Cabaret 800 Merchandisers equipped with an Ace or Van Lock and an ACMR Coin Mechanism.

6. Security Lock Kit, part number 222-0519, is for use on a Cabaret 222 or Cabaret 800 Merchandiser equipped with a recodable Flex-ACE Lock and an ACMR Coin Mechanism.

7. Security Lock Kit, part number 222-0520 is for use on a Cabaret 222 or Cabaret 800 Merchandiser equipped with an Ace or Van Lock and a Series 550 or Series 555 Changer.

8. Security Lock Kit, part number 222-0521, is for use on a Cabaret 222 or Cabaret 800 Merchandiser equipped with a Flex-ACE Lock and a Series 550 or Series 555 Changer.

Before starting to install the parts of a Kit be sure to read the instructions carefully and thoroughly.

NOTE

Cabinet Plate, part number 222-0510, is not used on Merchandisers which have 3 holes in the Cabinet Lock Plate. See Figure I-4 View "A".

1. Security Lock Kit, part number 222-0516, contains:

Part Number	Description	Quantity
222-0511	Security Lock Bracket	1
222-0510	Cabinet Plate	1
	attaching parts	
222-0507	3/8"-16NC x 3/4"	3
	Carriage Bolt	
222-0508	3/8"-16NC Hex Nut	3
	* * *	
222-0509	Security Lock Door Plate	1
222-0501	Door Top Trim Panel	1
222-0513	Security Lock Hasp	1
222-0522	Installation Instructions	1
	* * *	

2. Security Lock Kit, part number 222-0517, contains:

Part Number	Description	Quantity
222-0511	Security Lock Bracket	1
222-0510	Cabinet Plate	1
	attaching parts	

222-0507	3/8"-16NC x 3/4"	3
	Carriage Bolt	
222-0508	3/8"-16NC Hex Nut	3
	* * *	
222-0509	Security Lock Door Plate	1
222-0502	Door Trim Top Panel	1
222-0513	Security Lock Hasp	1
222-0522	Installation Instructions	1
	* * *	

3. Security Lock Kit, part number 222-0525, contains:

Part Number	Description	Quantity
222-0511	Security Lock Bracket	1
222-0510	Cabinet Plate	1
	attaching parts	
222-0507	3/8"-16NC x 3/4"	3
	Carriage Bolt	
222-0508	3/8" - 16NC Hex Nut	3
	* * *	
222-0509	Security Lock Door Plate	1
222-0526	Gold Coast Security Panel	1
222-0513	Security Lock Hasp	1
222-0522	Installation Instructions	1
	* * *	

4. Security Lock Kit, part number 222-0527, contains:

Part Number	Description	Quantity
222-0530	Security Lock Bracket	1
222-0510	Cabinet Plate	1
	attaching parts	
222-0507	3/8"-16NC x 3/4"	3
	Carriage Bolt	
222-0508	3/8"-16NC Hex Nut	3
	* * *	
222-0509	Security Lock Door Plate	1
222-0528	Black Wolf Security Panel	1
222-0529	Security Lock Hasp	1
222-0522	Installation Instructions	1
	* * *	

5. Security Lock Kit, part number 222-0518, contains:

Part Number	Description	Quantity
222-0511	Security Lock Bracket	1
222-0510	Cabinet Plate	1
	attaching parts	
222-0507	3/8"-16NC x 3/4"	3
	Carriage Bolt	
222-0508	3/8"-16NC Hex Nut	3
	* * *	
222-0509	Security Lock Door Plate	1
222-0503	Door Top Panel	1
222-0513	Security Lock Hasp	1
222-0522	Installation Instructions	1
	* * *	

6. Security Lock Kit, part number 222-0519, contains:

Part Number	Description	Quantity
222-0511	Security Lock Bracket	1
222-0510	Cabinet Plate	1
	attaching parts	
222-0507	3/8"-16NC x 3/4"	3
	Carriage Bolt	
222-0508	3/8"-16NC Hex Nut	3
	* * *	
222-0509	Security Lock Door Plate	1
222-0505	Door Top Panel	1
222-0513	Security Lock Hasp	1
222-0522	Installation Instructions	1
	* * *	

7. Security Lock Kit, part number 222-0520, contains:

Part Number	Description	Quantity
222-0511	Security Lock Bracket	1
222-0510	Cabinet Plate	1
	attaching parts	
222-0507	3/8"-16NC x 3/4"	3
	Carriage Bolt	
222-0508	3/8"-16 Hex Nut	3
	* * *	
222-0509	Security Lock Door Plate	1
222-0504	Door Top Panel	1
222-0513	Security Lock Hasp	1
222-0522	Installation Instructions	1
	* * *	

8. Security Lock Kit, part number 222-0521, contains:

Part Number	Description	Quantity
222-0511	Security Lock Bracket	1
222-0510	Cabinet Plate	1
	attaching parts	
222-0507	3/8"-16NC x 3/4"	3
	Carriage Bolt	
222-0508	3/8"-16 Hex Nut	3
	* * *	
222-0509	Security Lock Door Plate	1
222-0506	Door Top Panel	1
222-0513	Security Lock Hasp	1
222-0522	Installation Instructions	1
	* * *	

I. To Install The Parts Of The Security Lock Kit On A Series, Golden Cabaret or Crown Elite 222 Or Series, Golden Cabaret or Crown Elite 800 Merchandiser.

1. Unlock and Open the Cabinet Door.
2. Place the Door in a supported up-right position.

3. Remove the Display Assembly or Assemblies from the Door. See Figure I-1a or I-1b.
4. Remove the Top and Side Frame Extrusion from the Door.
5. Remove the Display Light and Frame Assembly from the Door.
6. Loosen but do not remove the remaining two Nuts which attach the Top Trim to the Door.

NOTE

To reduce the possibility of Display Glass breakage, the Screws which attach the Glass Lower Retainer may be loosened and the Display Glass may be removed from the Door.

7. If the Merchandiser is equipped with a Series 550 or Series 555 Changer, remove the Changer Instruction Frame.
8. Remove the Lock Assembly from the Door.
9. Remove the Top Trim Panel (Hobnail Gold) from the Merchandiser.

NOTE

1. *If the Door has a rectangular hole on each side of the Lock Hole skip to and follow steps I-15 through I-21. See Figure I-2.*
2. *If the Door does not have a rectangular hole on each side of the Lock Hole proceed to and follow steps I-10 through I-21.*

10. Install the Lock Assembly and Lock Protecting Ring in the Door. If the Lock is a recodable Lock install the Lock Protecting Collar.
11. Place the Security Lock Door Plate part number 222-0509 on the Lock Assembly. See Figure I-3.
12. Install the Lock Barrel Washer and Lock Retaining Nut.
13. Use the slots in the Security Lock Door Plate installed in step I-11 as templates to cut equivalent slots in the Cabinet Door. A 1/4" drill bit and a file can be used to form the slots in the Door or a sabre saw or hack saw may be used. Remove all burrs from around the slots.
14. Reverse steps I-10 through I-12.
15. Install the Security Lock Top Trim Panel, included in the Kit.

16. Install the Lock Assembly and Lock Assembly and Lock Protecting Ring in the Door. If the Lock is a recodable Lock install the Lock Protecting Collar.
17. Place the Security Lock Door Plate, part number 222-0509 on the Lock Assembly.
18. Install the Lock Assembly attaching parts, Lock Cam, and attaching Nut. Be sure the slots in the hobnail gold Trim Panel installed in step I-15 and the Lock Door Plate installed in step I-16 are in line with the slots in the Cabinet Door.
19. Reverse steps 3 through 7.

NOTE

The work on the Cabinet Door is complete.

20. a. If the Merchandiser is a 222 remove the top Cigarette Magazine.
- b. If the Merchandiser is an 800 remove the front Cigarette Magazine.
21. Cover the Delivery Mechanism with shop towels or other protective material to catch the chips when the required drilling is done.

NOTE

Inspect the inside top of the Merchandiser Cabinet.

1. *If the Cabinet Lock Plate has three 13/32" holes in it, skip steps I-22 through I-32a and follow step I-31b. Skip steps I-32 through I-42 and follow step I-43, skip I-44 and follow I-45 through I-50. See Figure I-4 View "A".*
2. *If the Cabinet Lock Plate has only one 13/32" hole in it skip steps I-22 through I-30 and follow steps I-31a (skip step I-31b) and I-32 through I-50 only. See Figure I-4 View "B".*
3. *If the Cabinet Lock Plate does not have a hole in it, follow steps I-22 through I-30 and I-42 through I-50. Skip steps I-31 through I-40.*

22. Install the lock and Cabinet Door.
23. Place the Security Lock Bracket, part number 222-0511, on the top-center-front of the Cabinet, in line with the Hasp. The Bracket flange with the round and oval hole in it is to be up. The round hole is to be toward the rear of the Cabinet. The Flange with the 3 square holes is to be toward the right. See Figure I-5.
24. Hook the blades on the end of the Security Lock Hasp, part number 222-0513, into the slots in the Cabinet Door.
25. Rotate the Hasp into place over the Security Lock Bracket and center the Bracket in the slot in the Hasp. See Figure I-6.

26. Carefully remove the Hasp from the Merchandiser - DO NOT dislocate the Bracket.
 27. Carefully locate and mark the centers of the Brackets' three square holes onto the Cabinet Top.
 28. Remove the Bracket from the Cabinet.
 29. Unlock and remove the Cabinet Door.
 30. At the 3 marked centers drill three .406" (13/32") diameter holes through the Cabinet Top. The front hole will also go through the Cabinet Lock Plate which is approximately 1/8" thick. Remove all burrs from the drilled holes.
 31. a. If the Cabinet Lock Plate has only one 13/32" diameter hole in it, use the hole as a guide to drill a .406" (13/32") diameter hole upward through the Cabinet Top. Remove all burrs from the drilled hole. Follow step I-32.
 - b. If the Cabinet Lock Plate has three 13/32" diameter holes in it, use the 3 holes as guides to drill three .906" (13/32") diameter holes upward through the Cabinet Top. Remove all burrs from the drilled holes. Skip to and follow step I-43.
 32. Place the Security Lock Bracket, part number 222-0511, on the top-center-front of the Cabinet. The Bracket flange with the round and oval hole in it is to be up. The round hole is to be toward the rear of the Cabinet. The flange with the 3 square holes is to be toward the right. See Figure I-5.
 33. Attach the Bracket to the Cabinet Top with one of the Carriage Bolts, part number 222-0507, and one of the Nut, part number 222-0508. Do not tighten the Nut so tight the Bracket cannot be moved. The Bolt is to go through the front square hole in the Bracket and the hole drilled in step I-31. See Figure I-7.
 34. Install and lock the Cabinet Door.
 35. Hook the blades on the end of the Security Lock Hasp, part number 222-0513, into the slots in the Cabinet Door.
 36. Rotate the Hasp into place over the Security Lock Bracket and center the Bracket in the slot in the Hasp.
 37. Remove the Hasp from the Merchandiser - DO NOT dislocate the Bracket.
 38. Carefully locate and mark the centers of the Brackets other two square holes onto the Cabinet Top.
 39. Remove the Bracket from the Cabinet.
 40. Unlock and remove the Cabinet Door.
 41. At the two marked centers drill two .406" (13/32") diameter holes through the Cabinet Top. Remove all burrs from the drilled holes.
 42. Place the Security Lock Bracket in place on the Cabinet Top and install the 3 Carriage Bolts.
 43. Install a Nut on the front Carriage Bolt. Do not tighten the Nut. See Figure I-7, View "A" or "B" depending upon whether the Cabinet Lock Plate had 1 or 3 holes per step I-31.
 44. Install the Cabinet Plate, part number 222-0510, from the underside of the Cabinet top onto the other two Carriage Bolts. See Figure I-7 View "B".
 45. Install Nuts on the remaining Carriage Bolts.
 46. Center the Bracket and securely tighten the three Nuts.
 47. Reverse steps I-20 and I-21.
 48. Install and lock the Cabinet Door.
 49. Install the Security Lock Hasp.
 50. Install through the two holes in the Security Lock Bracket, a padlock that has a 7/16" diameter (maximum) shackle and has a minimum inside shackle width of 7/8" and a maximum width of 1-3/4".
- II. To Install The Parts Of The Security Lock Kit On A Cabaret 222 Or A Cabaret 800 Merchandiser.
1. Unlock and remove the Cabinet Door.
 2. Place the Door in a supported up-right position.
 3. Remove the Display Assembly or Assemblies from the Door. See Figure II-1a or II-1b.
 4. Remove the Lock Assembly from the Door. See Figure II-1.
 5. Remove the Door Top Panel and Display Light and Frame Assembly from the Door. If the Merchandiser is equipped with a Series 550 or Series 555 Changer remove the Exact Change Window and Diffuser from the Panel.

NOTE

1. *To reduce the possibility of Display Glass breakage the Screws which attach the Glass Lower Retainer may be loosened and the Display Glass may be removed from the Door.*
2. *If the Door has a rectangular hole on each side of the Lock mounting hole, skip to and follow steps II-12 through II-20. See Figure I-2.*
3. *If the Door does not have a rectangular hole on each side of the Lock mounting hole, proceed to and follow steps II-6 through II-20.*
6. Install the Lock Assembly and Lock Protecting Ring in the Door. If the Lock is a Recodable Lock install the Lock Protecting Collar.
7. Place the Security Lock Door Plate, part number 222-0509 on the Lock Assembly. See Figure I-3.
8. Install the Lock Barrel Washer and Lock Retaining Nut.
9. Use the slots in the Security Lock Door Plate installed in step II-7 as templates to cut equivalent slots in the Cabinet Door. A 1/4" drill bit and a file can be used to form the slots in the Door or a sabre saw or hack saw may be used. Remove all burrs from around the slots.
10. Reverse steps II-6 through II-8.
11. If the Merchandiser being revised is equipped with a Series 550 or Series 555 Changer, install the Exact Change Window and Diffuser removed from the original Door Top Panel in step II-5, in the replacement Door Top Panel included in the Kit. See Figure II-1a or II-1b.
12. Install but do not attach the Door Top Panel on the Cabinet Door.
13. Install the Lock Assembly and Lock Protecting Ring in the Door. If the Lock is a Recodable Lock install the Lock Protecting Collar.
14. Place the Security Lock Door Plate, part number 222-0509 on the Lock Assembly.

15. Install the Lock Assembly attaching parts, Lock Cam, and attaching Nut. Be sure the slots in the Door Top Panel installed in step II-11 and the Lock Door Plate installed in step II-13 are in line with the slots in the Cabinet Door.
16. Install the Display Light Assembly.
17. Attach the Display Light Assembly and the Door Top Panel with the screws that were used to attach the original parts.

NOTE

Install the Screw carefully to prevent the "drilling" of the plastic in the bosses on the Door Top Panel.

18. Install the Display Assembly removed in step II-3.

NOTE

The work on the Cabinet Door is complete.

19. a. If the Merchandiser is a Cabaret 222 remove the top Cigarette Magazine.
b. If the Merchandiser is a Cabaret 800 remove the front Cigarette Magazine.
20. Cover the Delivery Mechanism with shop towels or other protective material to catch the chips when the required drilling is done.

NOTE

Inspect the inside top of the Merchandiser Cabinet.

1. *If the Cabinet Lock Plate has three 13/32" holes in it, skip steps I-22 through I-31a and follow step I-31b. Skip steps I-32 through I-41 and follow step I-43, skip step I-44, and follow steps I-45 through I-50. See Figure I-4 View "A".*
2. *If the Cabinet Door Plate has only one 13/32" hole in it skip steps I-22 through I-30 and follow steps I-31a (skip step I-31b) and follow steps I-32 through I-50 only. See Figure I-4. View "B".*
3. *If the Cabinet Lock Plate does not have a hole in it, follow steps I-22 through I-30 and I-42 through I-50. Skip steps I-31 through I-40.*

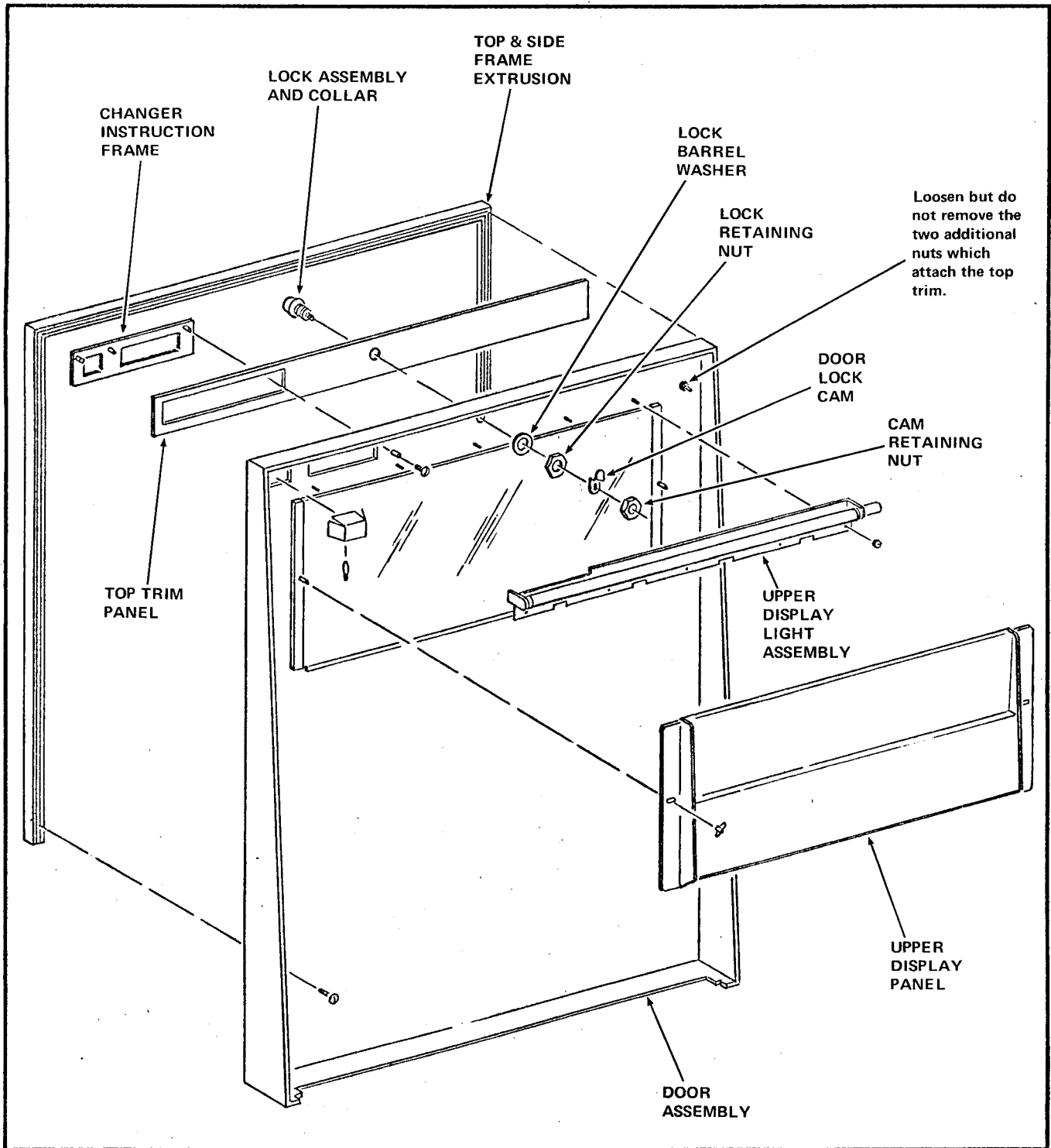


Figure 1-1a

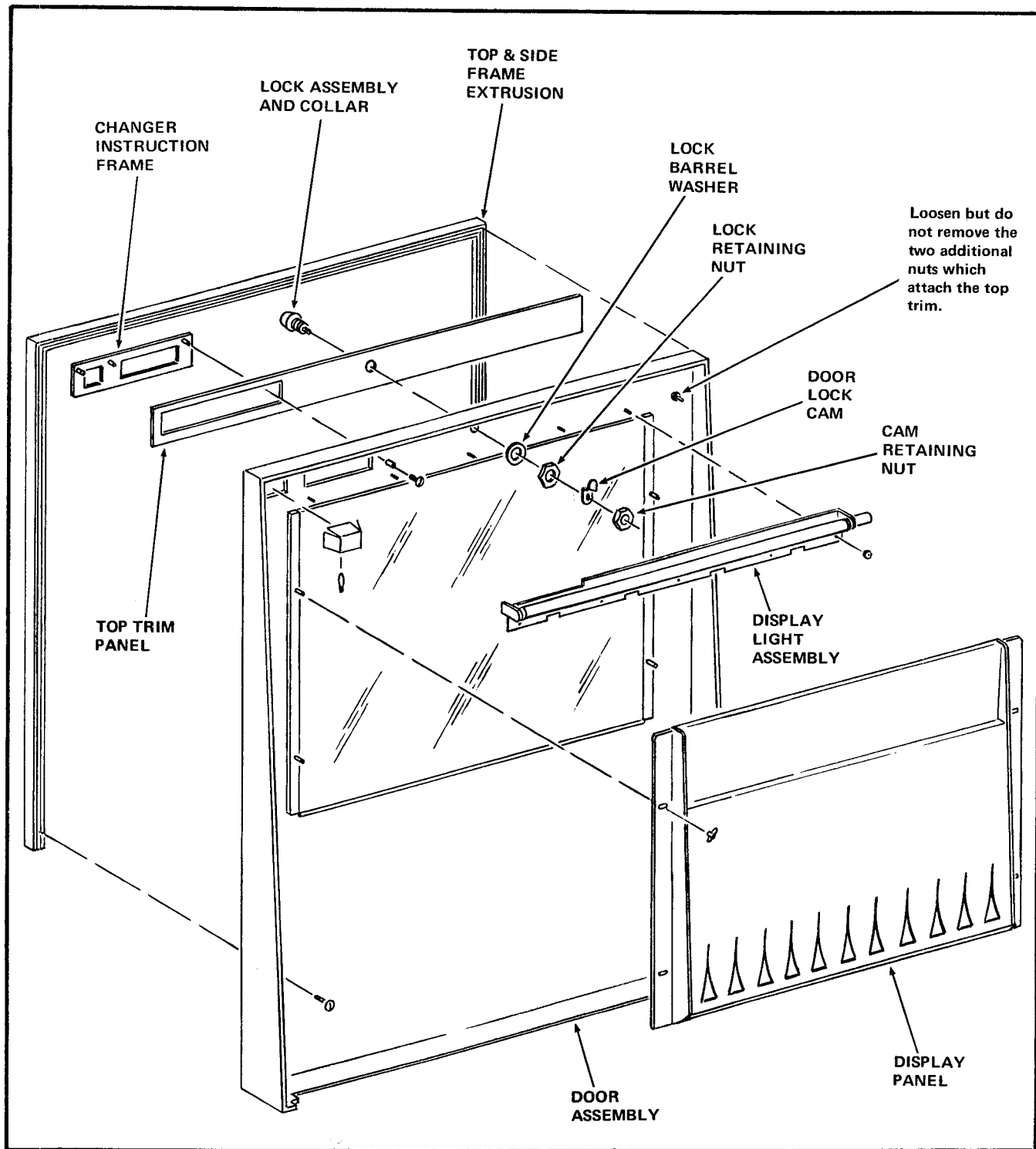


Figure 1-1b

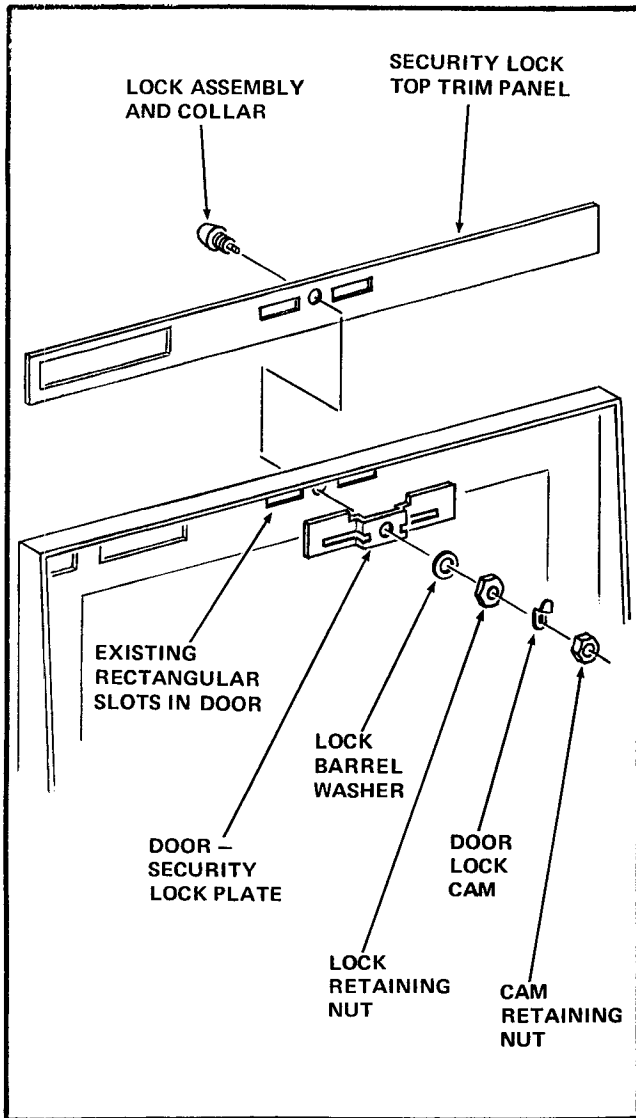


Figure I-2

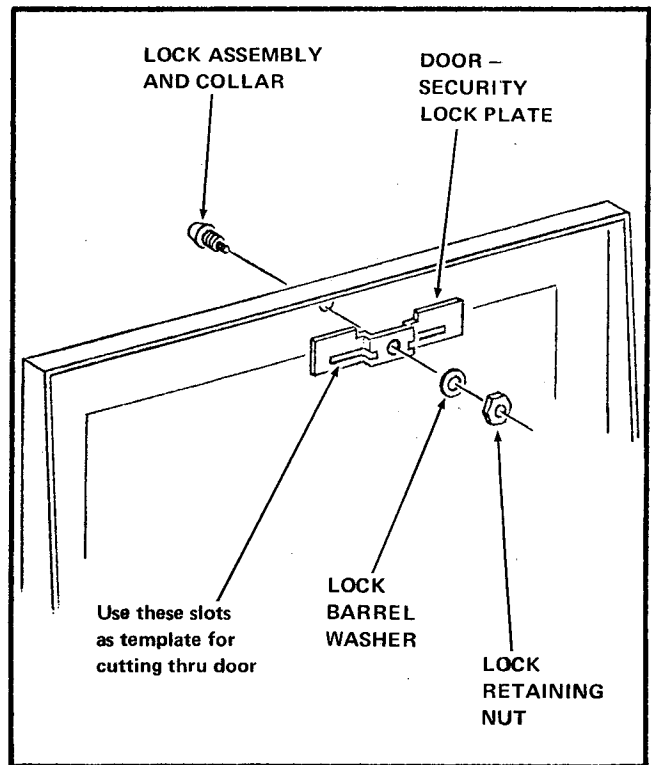


Figure I-3

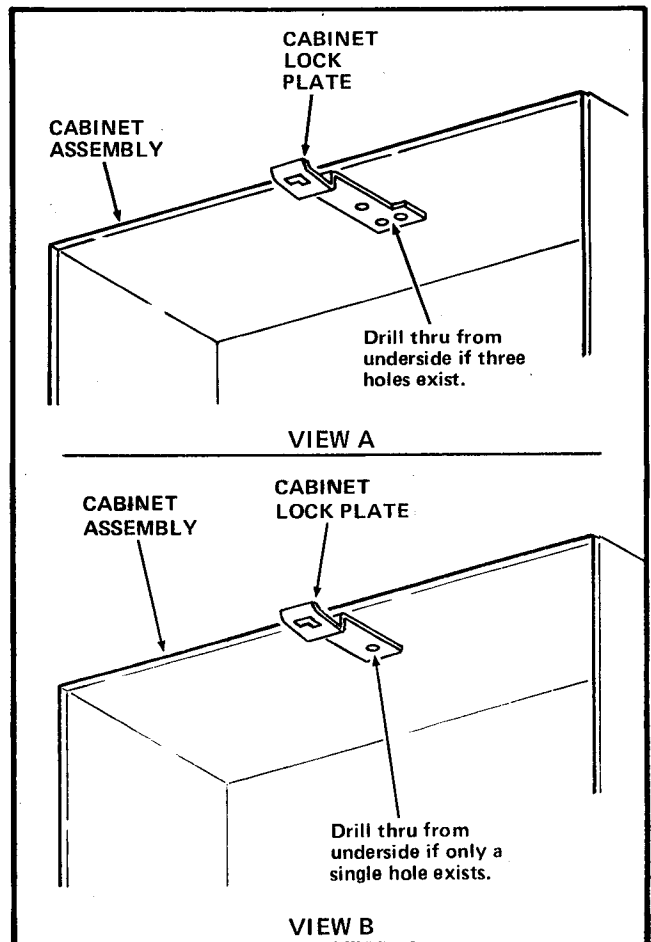


Figure I-4

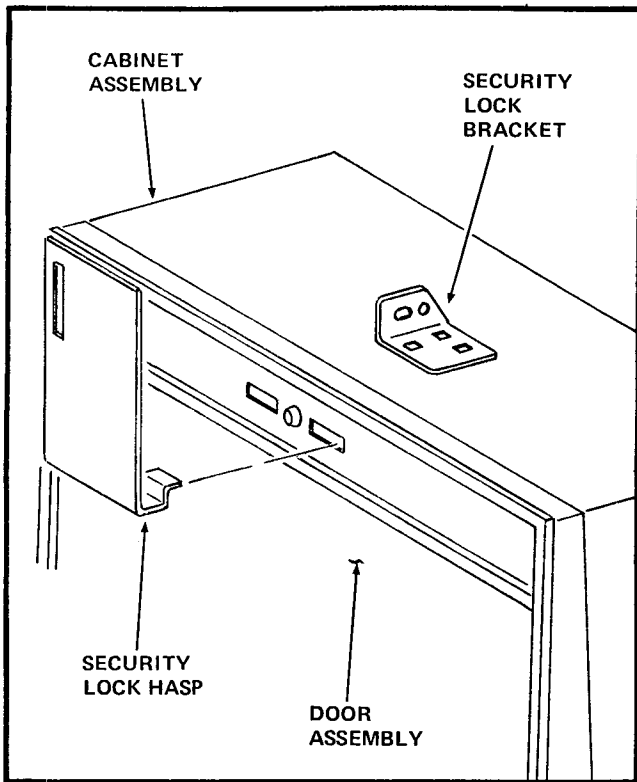
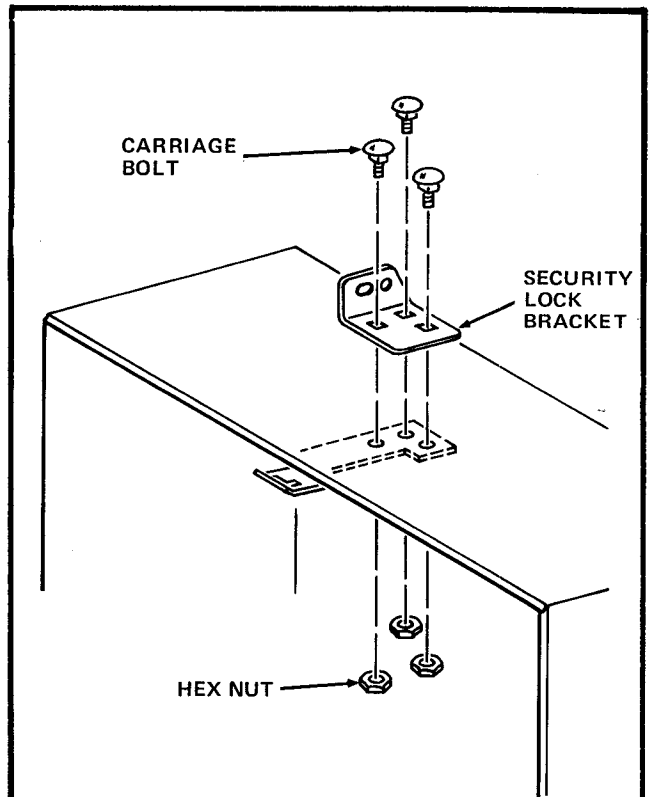
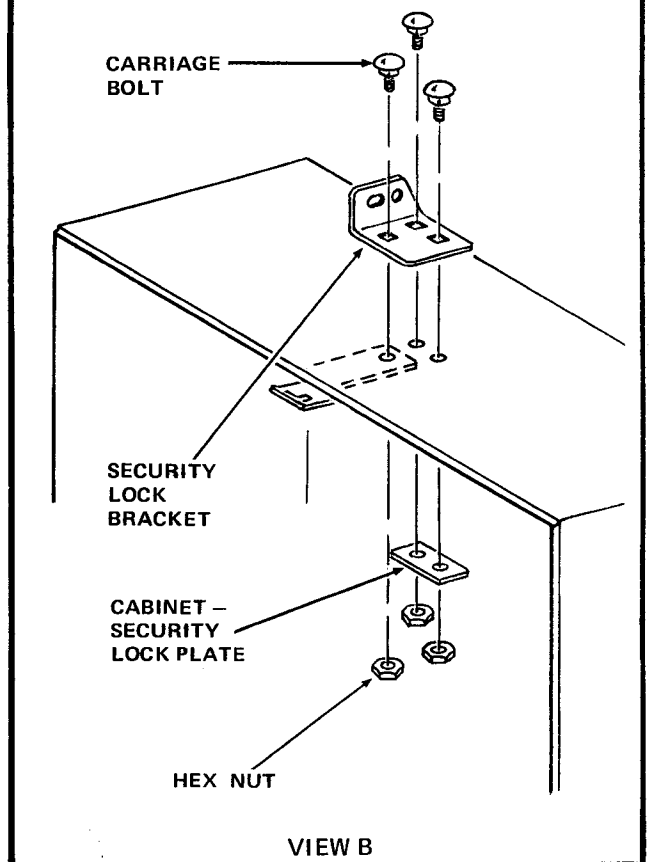


Figure 1-5



VIEW A



VIEW B

Figure 1-7

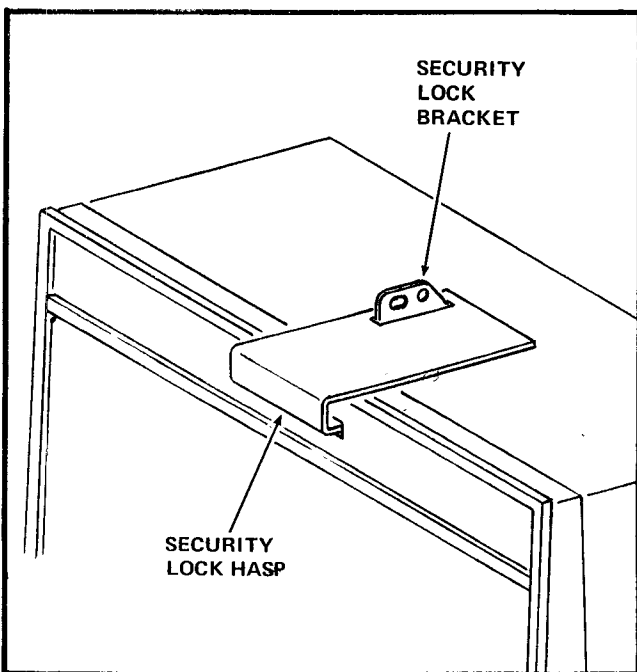


Figure 1-6

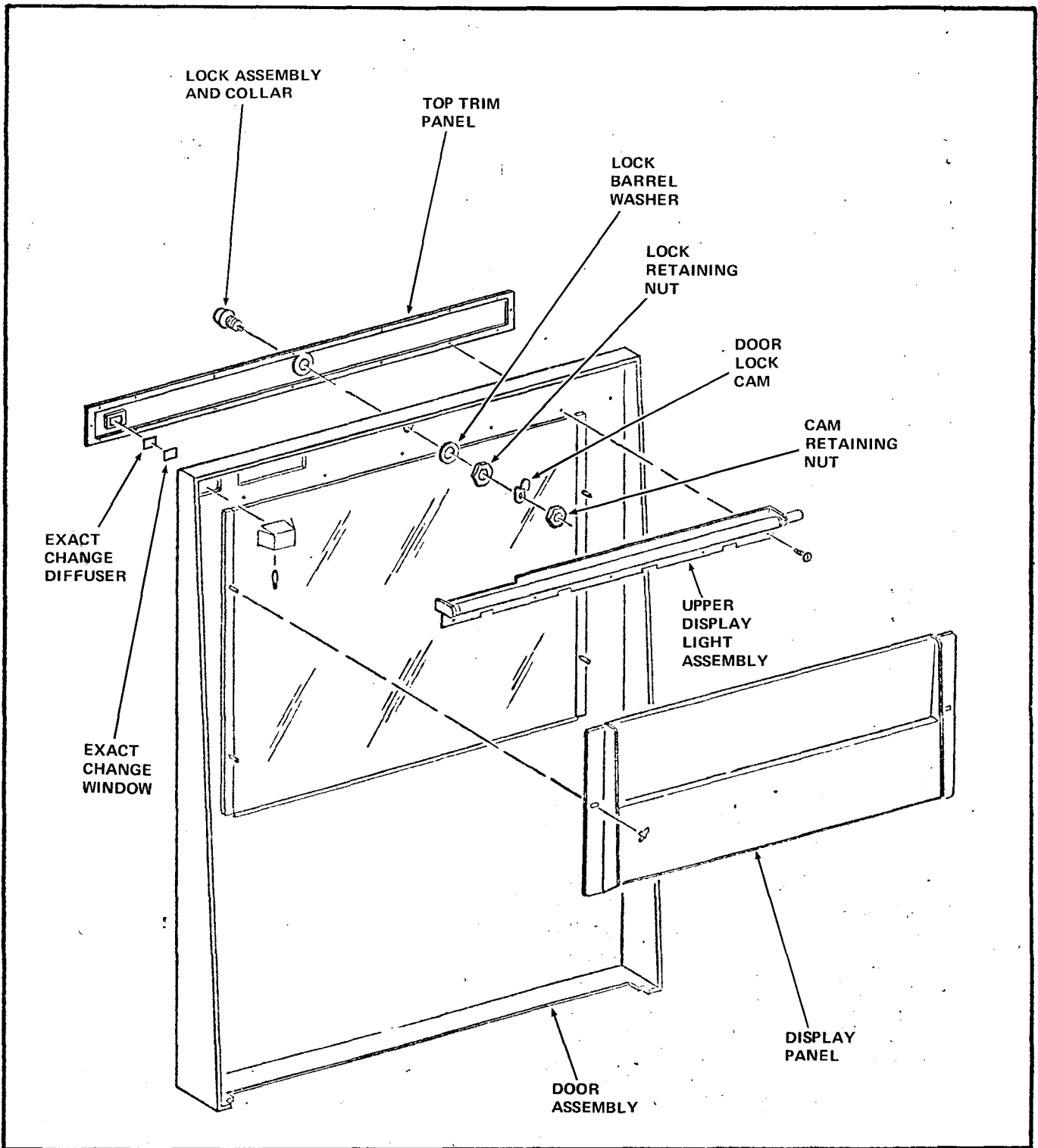


Figure II-1a

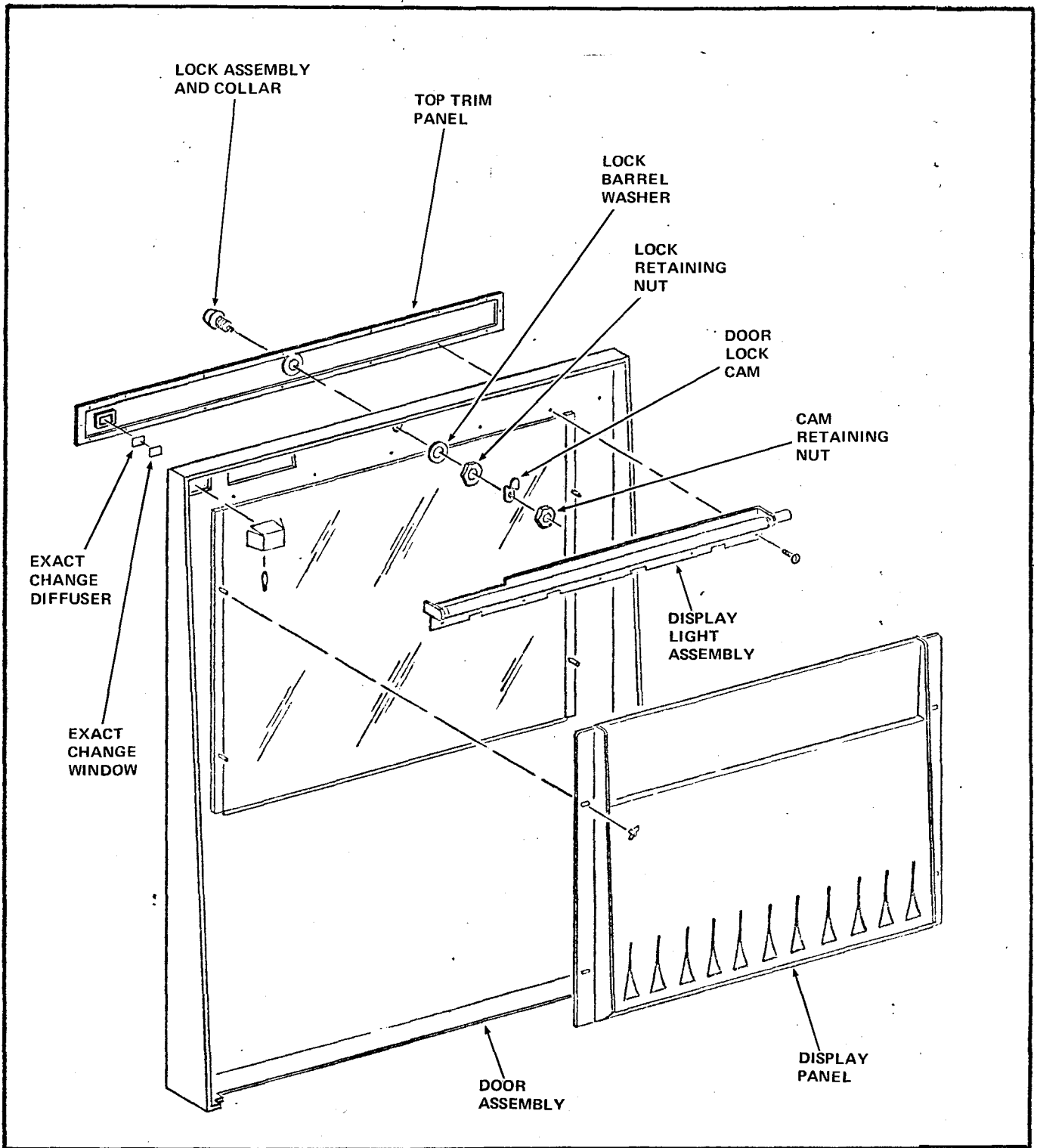


Figure II-1b